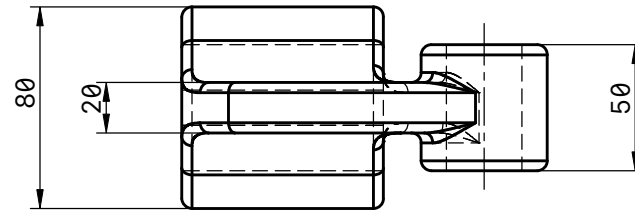
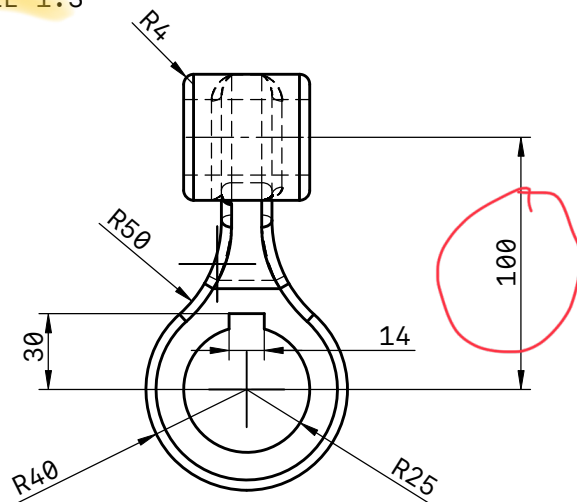


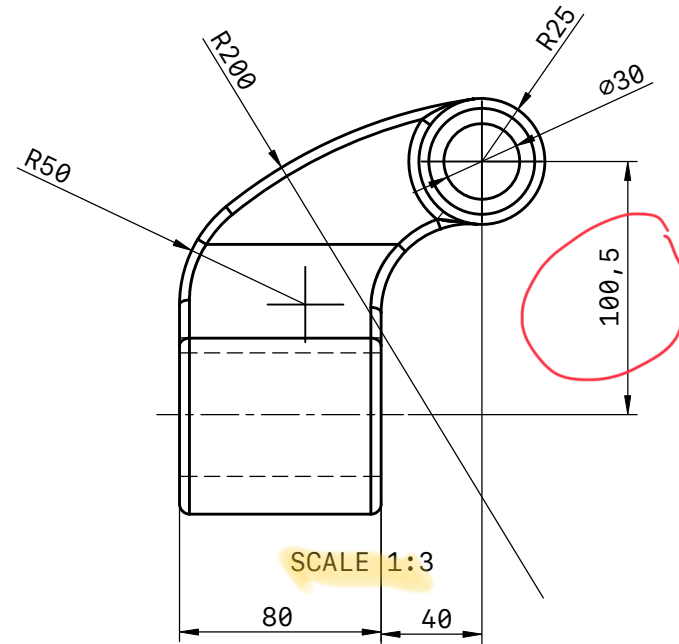
SCALE 1:3



SCALE 1:3



SCALE 1:3



SCALE 1:3

TITLE

Body 03

LAST UPDATED

08/12/22

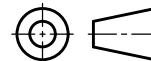
UNITS

mm

SHEET

1 / 1

THIRD ANGLE PROJECTION



SCALE

1:5

SIZE

A